

A simple choice

Danfoss self-acting controls for chilled ceilings and fan-coil/induction coils

- Lowest possible total price
- Simple installation
- Possibility of sequential control
- Up to date design
- Built-in max./min. pre-setting
- Easy to hide capillaries
- No electric connection

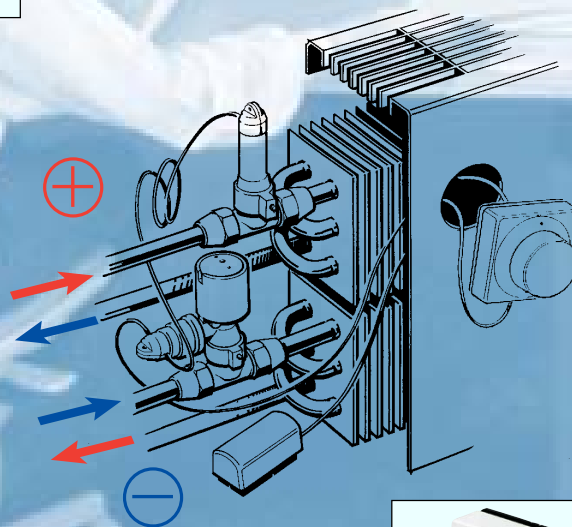
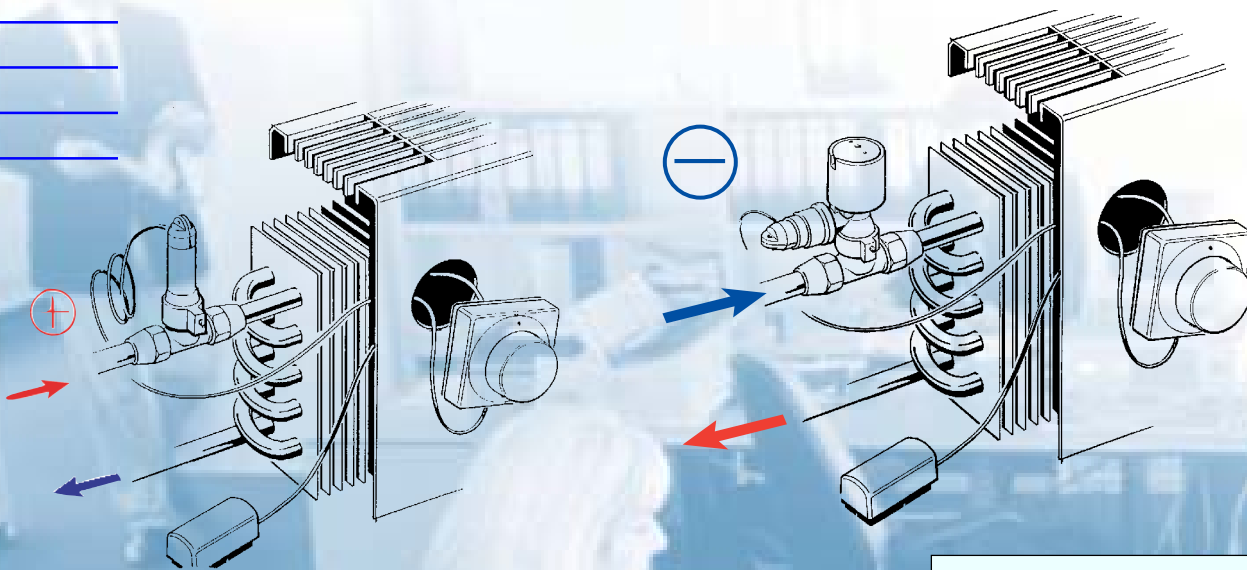


Fan-coil components/ induction coils

The self-acting sensors FEV-FF, FEK-FF and FED-FF, incl. valves, can be used for regulating the injection temperature from induction coils to maintain the optimal room temperature. By employment of the remote temperature adjuster the required room temperature can be set. Also built-in max. and min. temperature pre-setting.

The system consists of either a heating battery, a cooling battery or a cooling battery combined with a heating battery. FEV-FF is used in systems with heating battery, FEK-FF is used in systems with cooling batteries, whereas FED-FF is used in systems with both cooling and heating batteries.

The RA-C valve is used for cooling batteries and RA-C or RA-N for heating batteries. Both valves are fitted with built-in pre-setting of max. water flow, and therefore no further lock-shield is necessary.



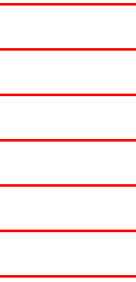
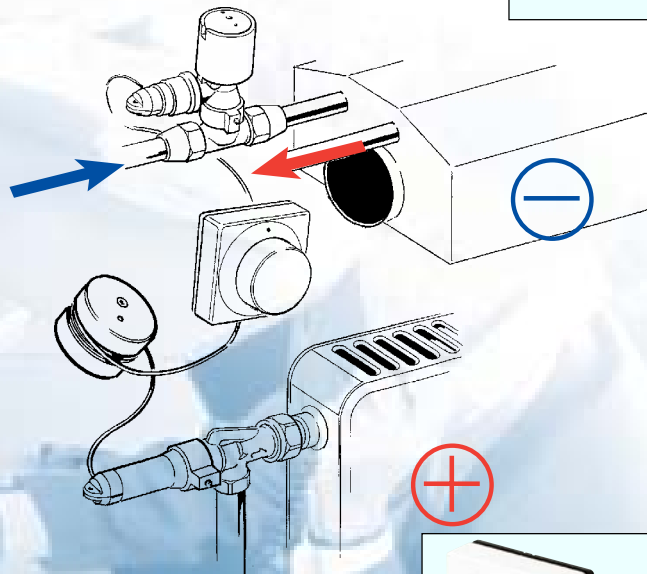
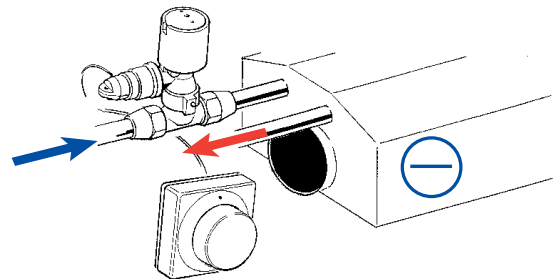
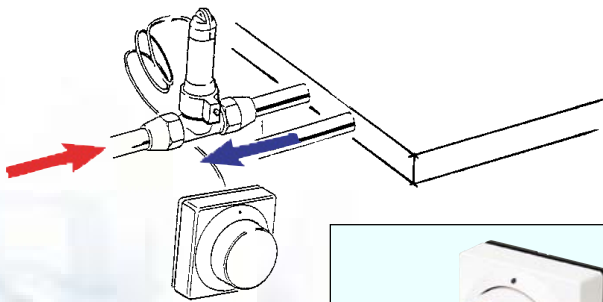
Panels/beams and radiators

The self-acting sensors FEV-IF, FEK-IF and FED-IF, incl. valves, can be used for regulating the room temperature. By employment of the remote temperature adjuster the required room temperature can be set. The controller is also fitted with built-in max. and min. room temperature pre-setting. The system can consist of heated ceiling/heated beam or of either chilled panels/chilled beams or can be combined with a radiator.

FEV-IF is used only in case where heated ceilings /heated beams are used, FEK-IF is only used with chilled panels/chilled beams, whereas FED-IF is used in systems where both chilled panels/chilled beams work in sequence with radiators.

Use the RA-C valve for the chilled panel/chilled beam and the RA-N valve for the radiator.

Both valves are fitted with built-in pre-setting of max. water flow, and therefore no further lock-shield is necessary.





For further information

Product type	Panel/beam			Fan-coil unit Coil unit			Data sheet
	Heated panel beam	Chilled panel beam	Chilled panel / beam and radiator in sequence	Heating battery	Cooling battery	Cooling / heating battery in sequence	
Valve ^{Sensor}	FEV-IF	FEK-IF	FED-IF	FEV-FF	FEK-FF	FED-FF	Data sheet
RA-C	X	X	X	X	X	X	VD.33.U1.02
RA-N/FN/G	X		X	X		X	VD.51.G8.02 VD.51.P8.02
Data sheet	VD.33.R1.02	VD.33.S1.02	VD.33.T1.02	VD.33.R1.02	VD.33.S1.02	VD.33.T1.02	



Danfoss can accept no responsibility for possible errors in catalogues, brochures and other printed material. Danfoss reserves the right to alter its products without notice. This also applies to products already on order provided that such alterations can be made without subsequential changes being necessary in specifications already agreed. All trademarks in this material are property of the respective companies. Danfoss and the Danfoss logotype are trademarks of Danfoss A/S. All rights reserved.